

8 7 6 5 4 3 2 1

D

D

C

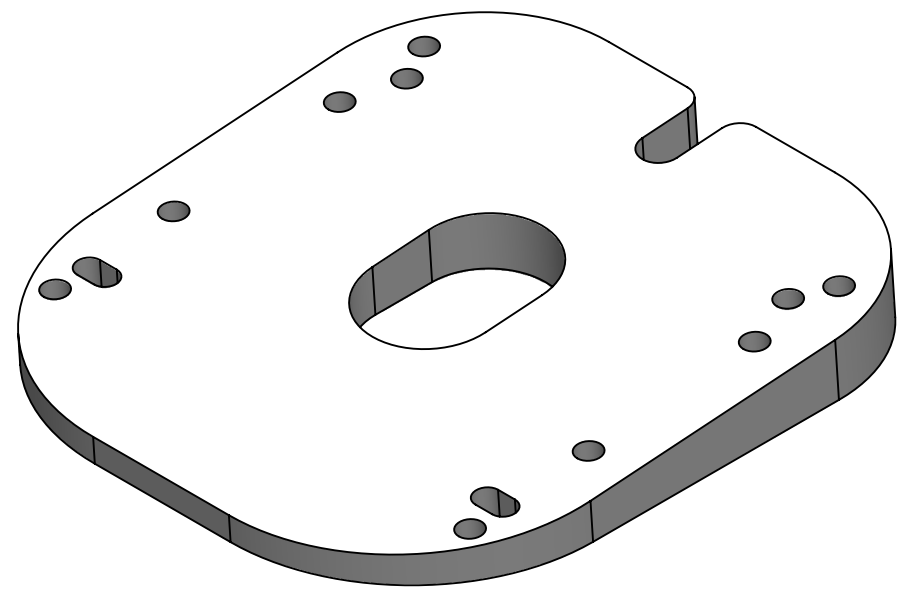
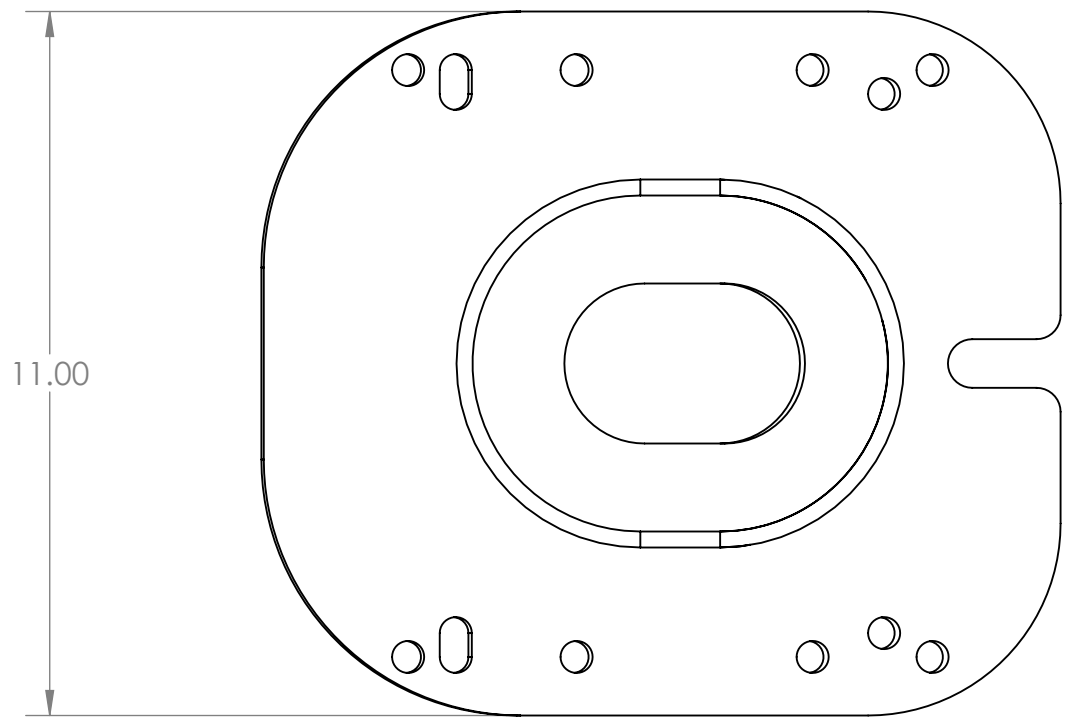
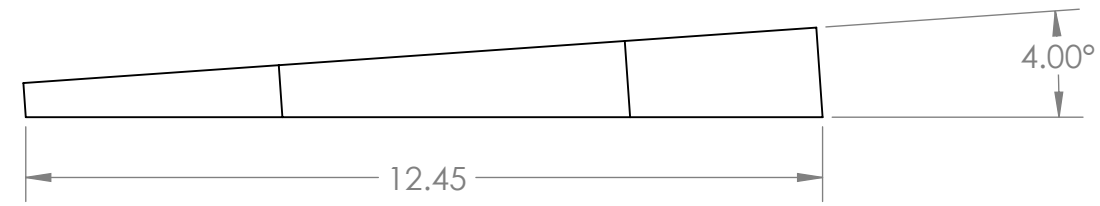
C

B

B

A

A



PROPRIETARY AND CONFIDENTIAL
 THE INFORMATION CONTAINED IN THIS DRAWING IS THE SOLE PROPERTY OF <INSERT COMPANY NAME HERE>. ANY REPRODUCTION IN PART OR AS A WHOLE WITHOUT THE WRITTEN PERMISSION OF <INSERT COMPANY NAME HERE> IS PROHIBITED.

		UNLESS OTHERWISE SPECIFIED:				NAME		DATE		PYI Inc.	
		DIMENSIONS ARE IN INCHES		DRAWN							
		TOLERANCES:		CHECKED						SIZE DWG. NO. REV B RW4-2 web	
		FRACTIONAL ±		ENG APPR.							
		ANGULAR: MACH ± BEND ±		MFG APPR.							
		TWO PLACE DECIMAL ±		Q.A.							
		THREE PLACE DECIMAL ±		COMMENTS:							
		INTERPRET GEOMETRIC TOLERANCING PER:		MATERIAL		Nylon 101					
NEXT ASSY		USED ON		FINISH							
APPLICATION				DO NOT SCALE DRAWING							

8 7 6 5 4 3 2 1